



ASR-002 Three Phase Power Controller

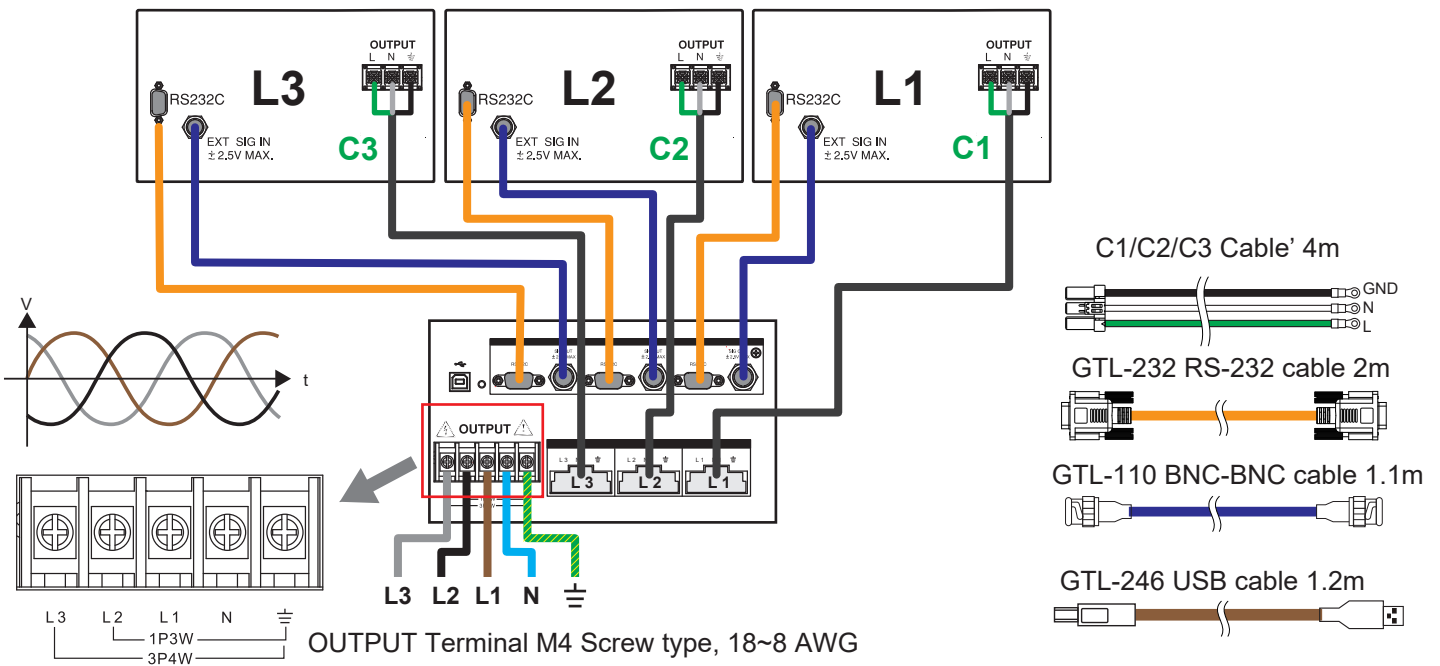


ASR-002, which is a three-phase power controller, is able to control up to 3 single-phase power supply units (ASR series only).

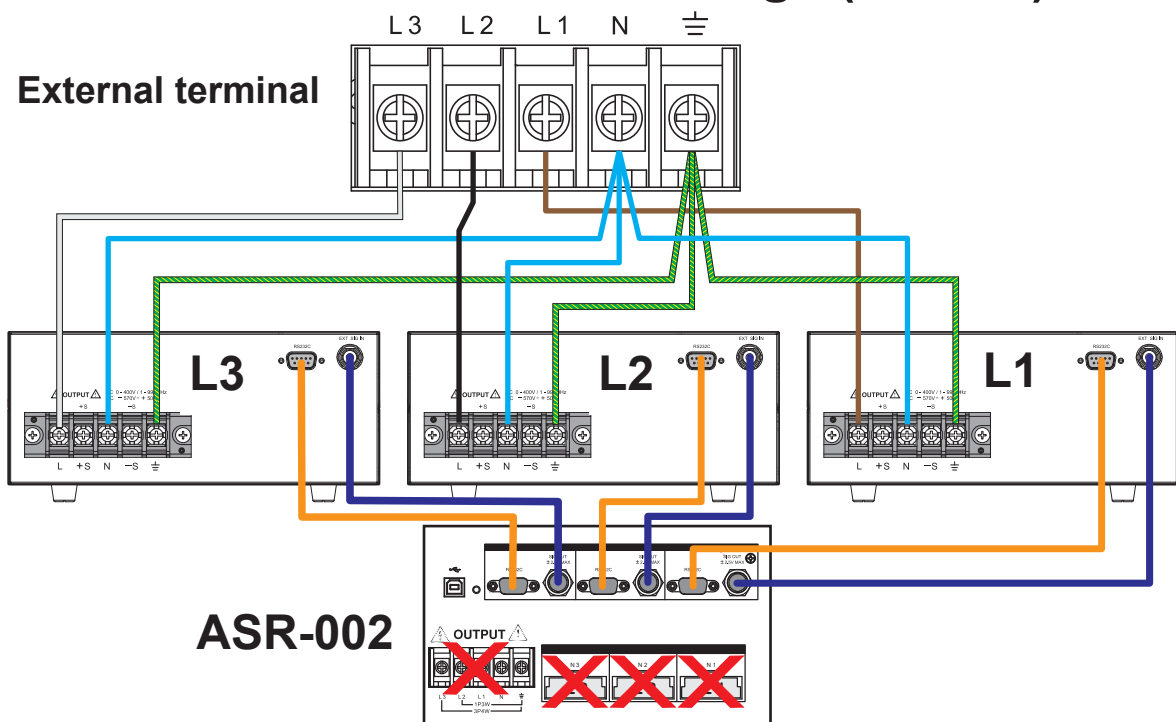
It effectively makes AC output conformed to 1P3W/3P4W that generally unit requires, and also turns output into 3P3W via designated wire method.

When the select single-phase power is greater than the capacity of 2kVA, it is suggested that output should be connected to the external terminal for safety consideration.

Three-Phase Wire Connection Image ($\leq 2kVA$)



Three-Phase Wire Connection Image ($> 2kVA$)





AC Mode: 40.00 Hz to 999.9 Hz, AC+DC Mode: 1.00 Hz to 999.9 Hz

Support single-phase three-wire (1P3W), three-phase three-wire (3P3W), three-phase four-wire (3P4W) output mode.

Model	Connection	Voltage range	Output voltage
ASR-2000	1P3W(L-N)	100V Range	0~ 350 Vrms
		200V Range	0~ 700 Vrms
	3P4W(L-L)	100V Range	0~ 303 Vrms
		200V Range	0~ 606 Vrms
ASR-3000	1P3W(L-N)	100V Range	0~ 400 Vrms
		200V Range	0~ 800 Vrms
	3P4W(L-L)	100V Range	0~ 346 Vrms
		200V Range	0~ 692 Vrms

Accessories

- GTL-232 x 3 RS232C cable, approx. 2m
- GTL-110 x 3 BNC test lead, approx 1.1m
- GTL-246 x 1 USB Cable (USB 2.0 Type A- Type B Cable, Approx. 1.2m)
- 40WC792030011 x 3 C1/C2/C3 Cable, 4m Max Length, UL1015 12AWG, RV5-5, Hirose DF22-4S□7.92C(28) 3P + DF22A-1012SCF



C1/C2/C3 Cable 4m



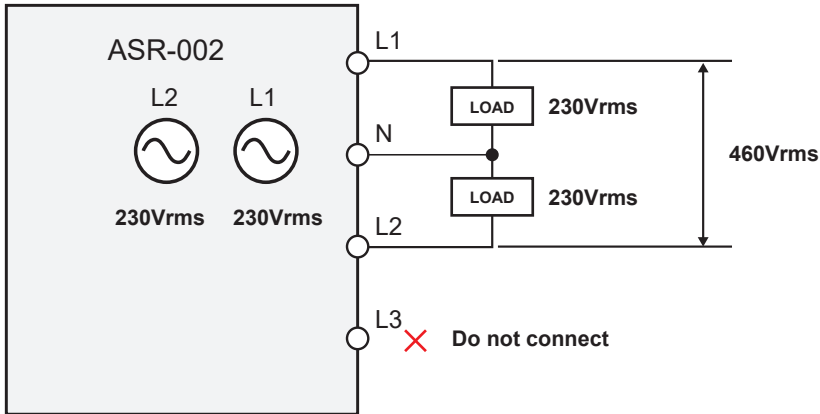
When connecting the ASR series to ASR-002 to supply three-phase power, the following functions are limited.

- 1) No DC Output(100% of Rated Power).
- 2) Measurement Items: only current(A), power(W) and PF for each phase.
- 3) No voltage and current Harmonic Analysis(THDv, THDi)
- 4) No Remote Sensing Capability
- 5) No Arbitrary Waveform Function
- 6) No Sequence and Simulation Function(up to 10 sets)
- 7) Interface: only support USB
- 8) Not supported Built-in External Control I/O
- 9) No memory Function(up to 10 sets)
- 10) No LAN port(Built-in Web Server)

Take 230V voltage output from ASR-Series as illustrations:

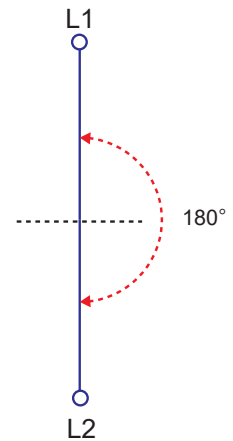
Single-Phase

1P3W



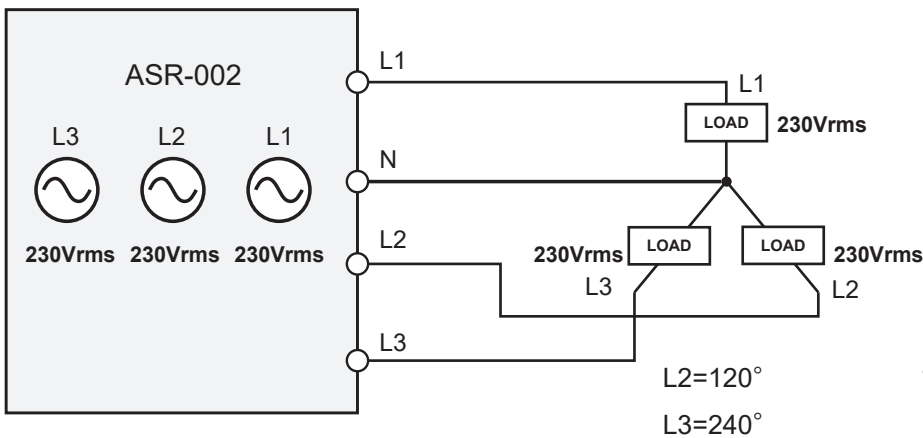
Phase Setting:

L2 Phase setting range: 180° fixed.



Three-Phase

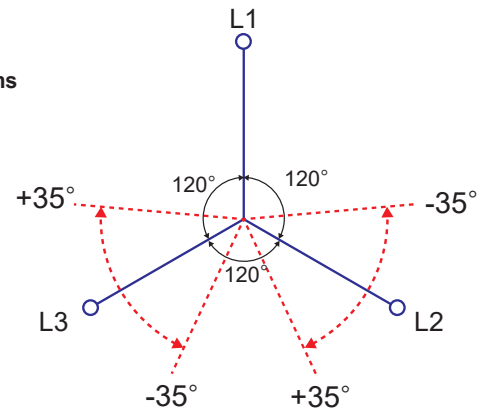
3P4W WYE (Star) connection



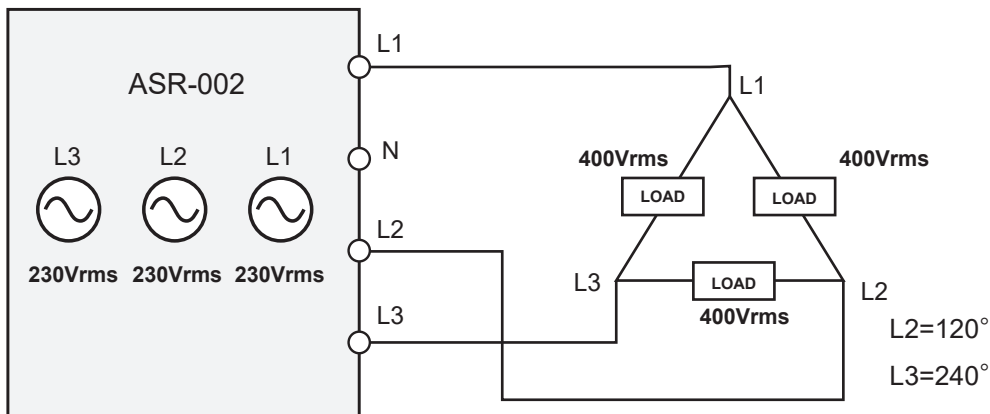
Phase Shift Setting

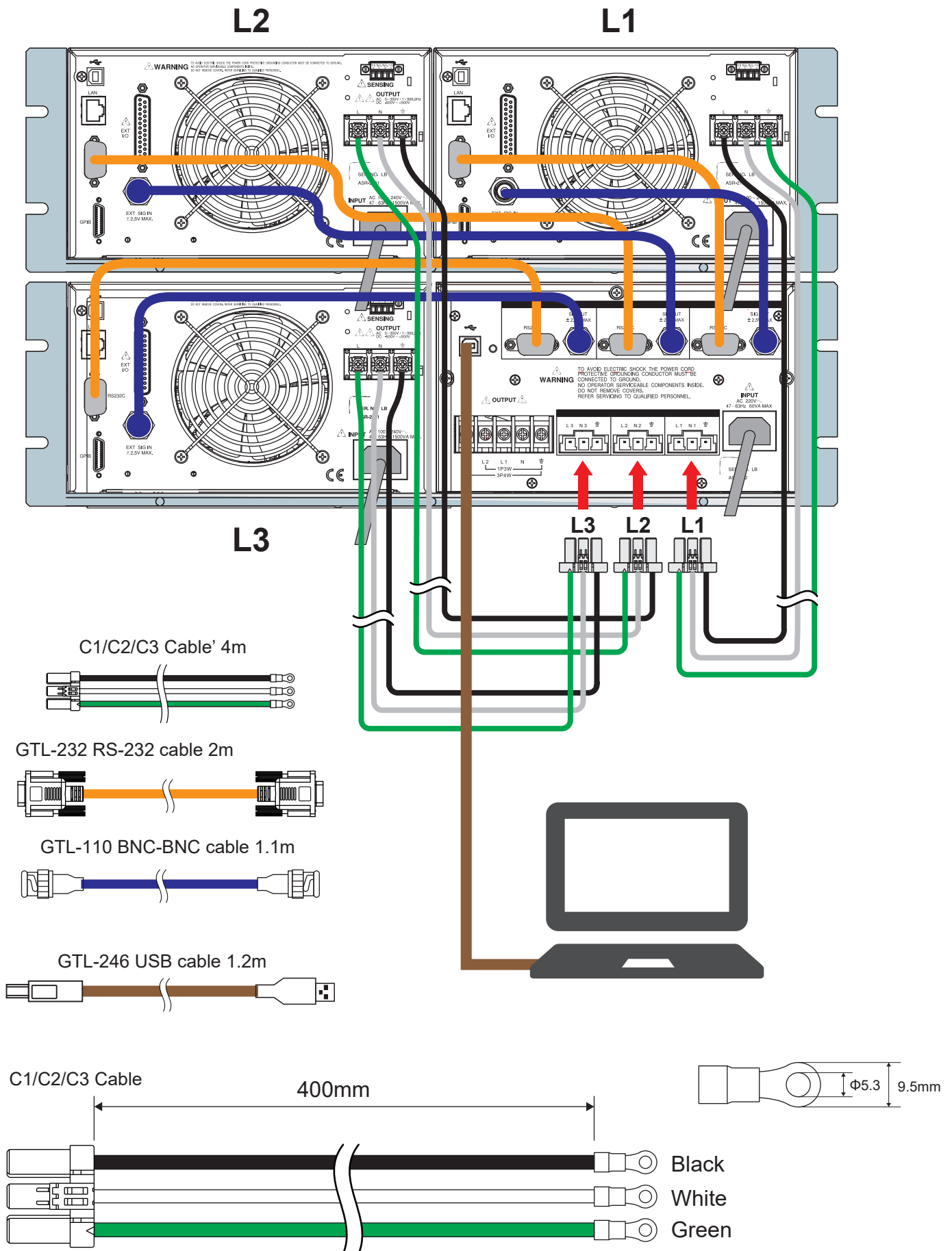
L2 Phase setting range: 85° - 155°

L3 Phase setting range: 205° - 275°.

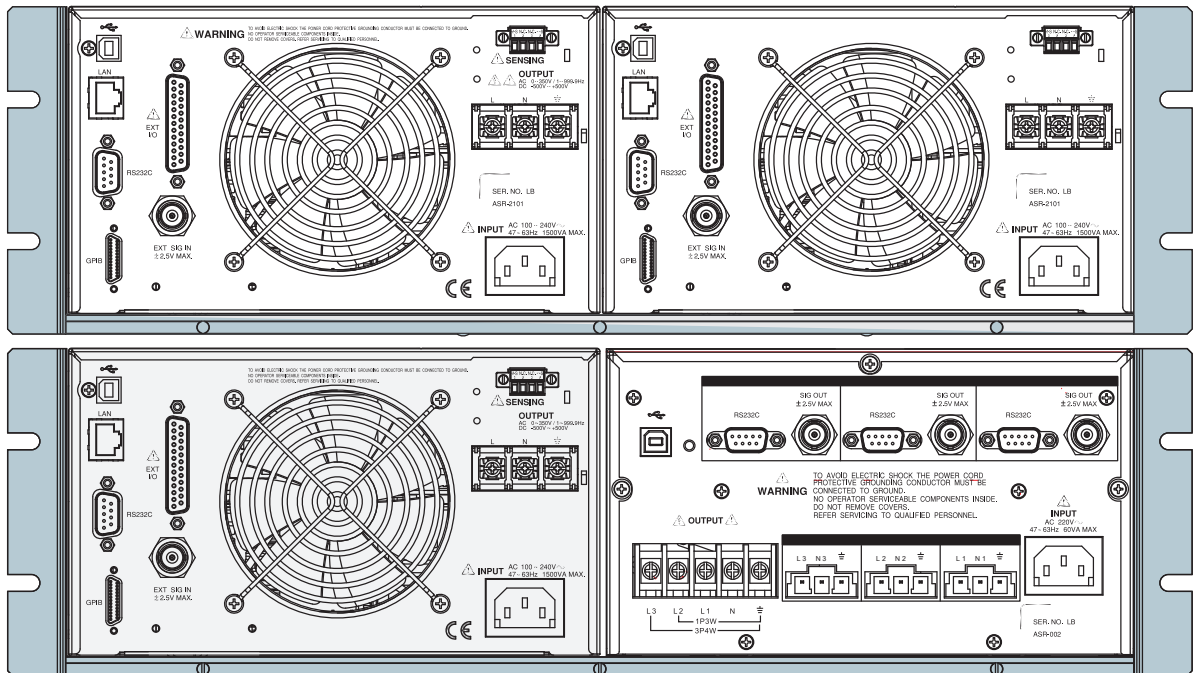
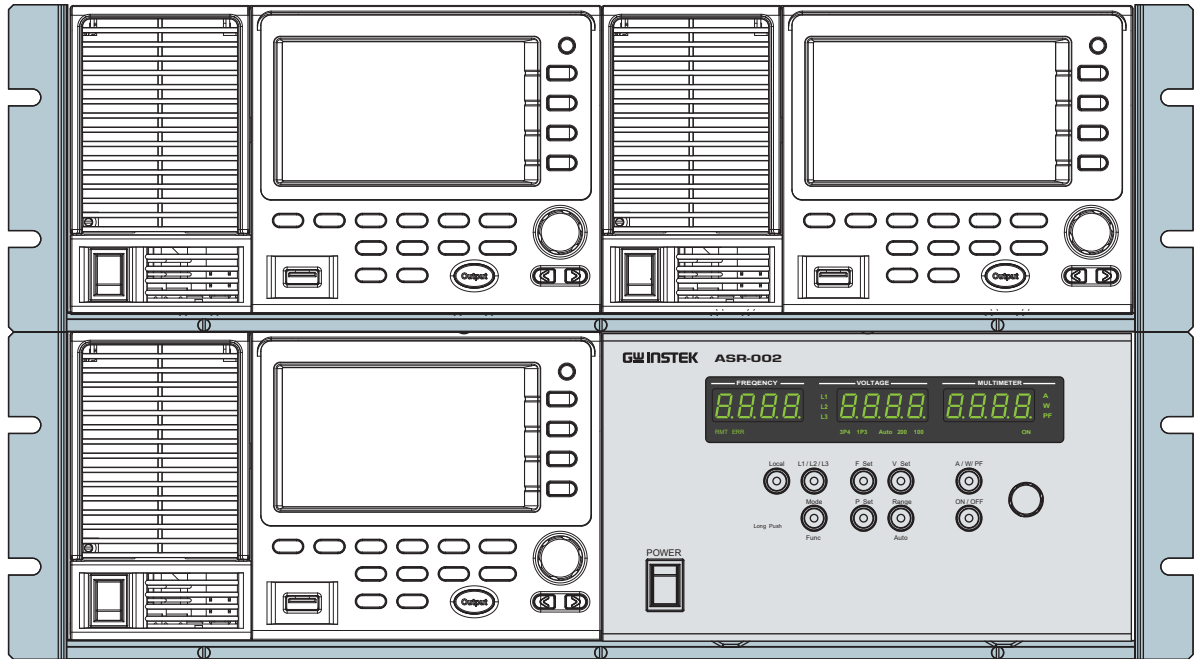


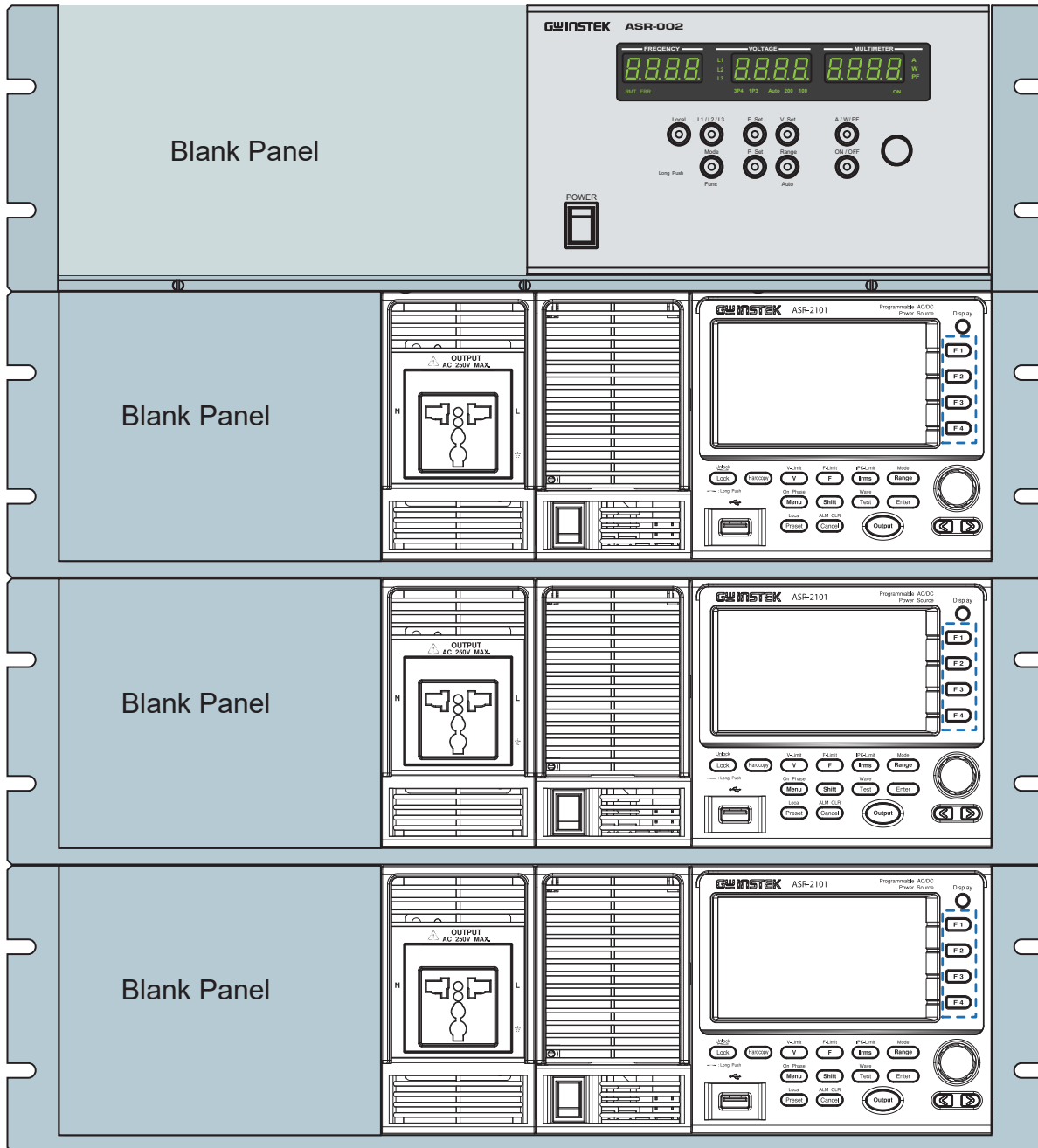
3P3W Delta connection





Example: GRA-439-E Rack Mount Kit(EIA)



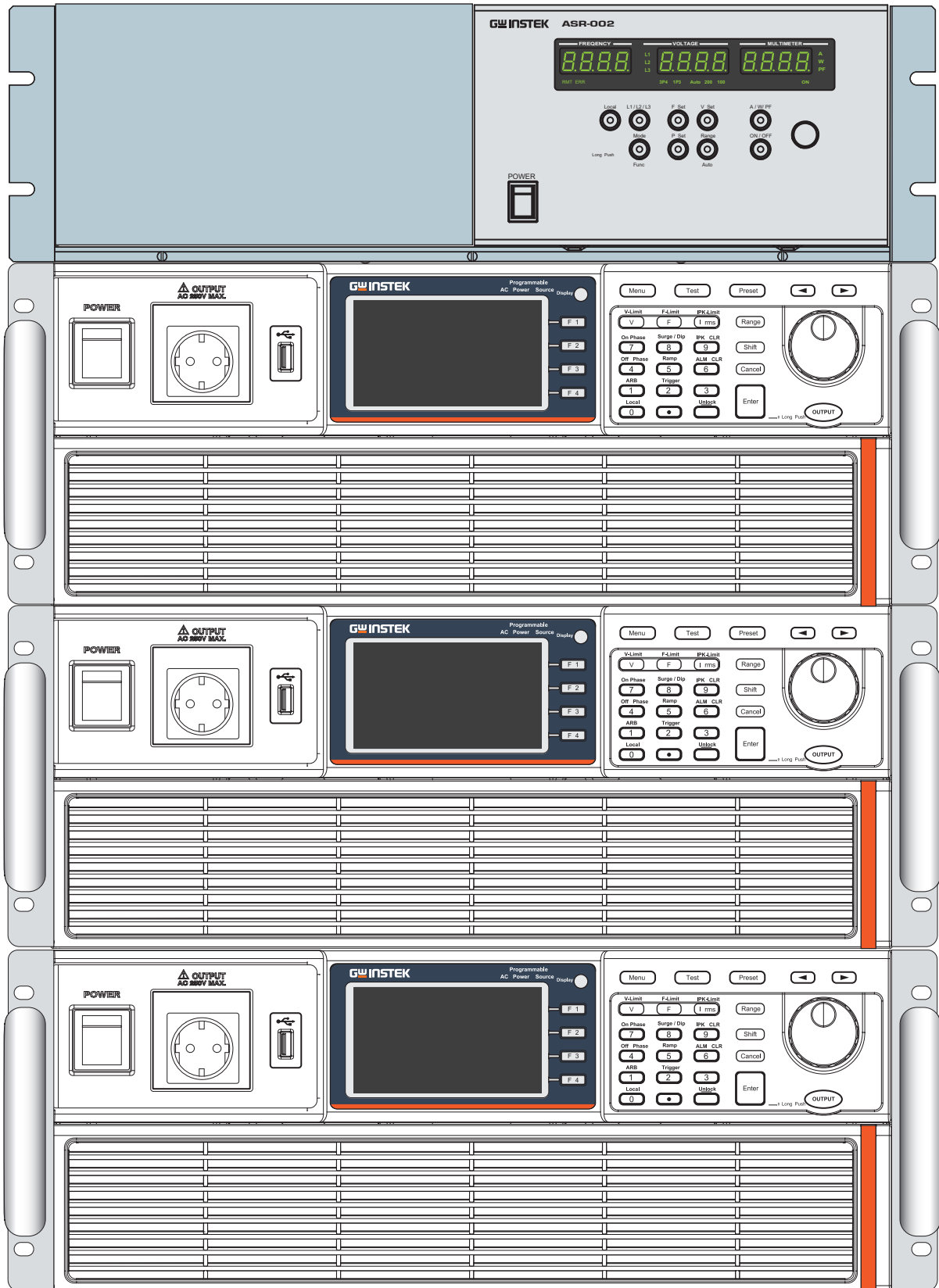


ASR-3000 and ASR-002

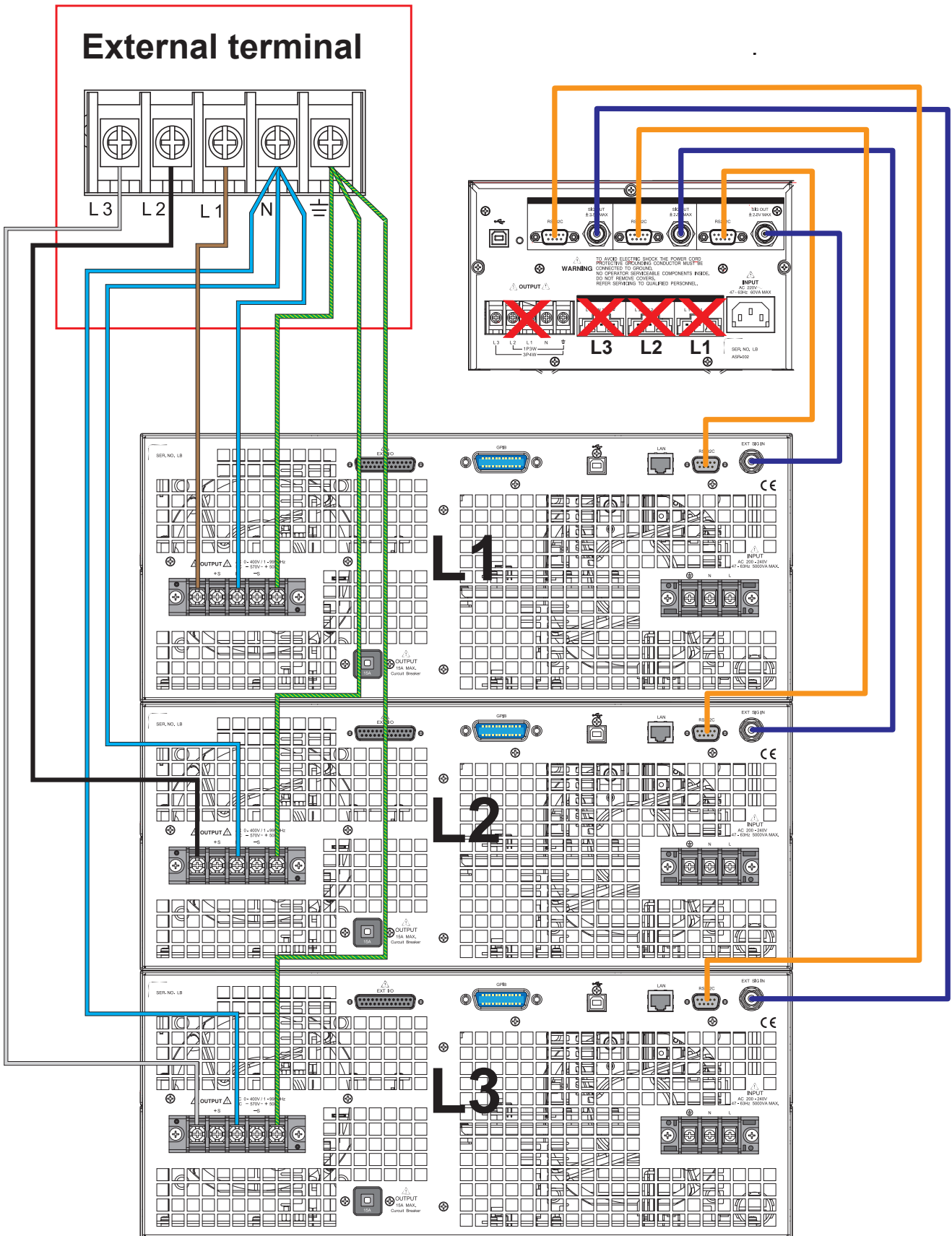
GW INSTEK

Simply Reliable

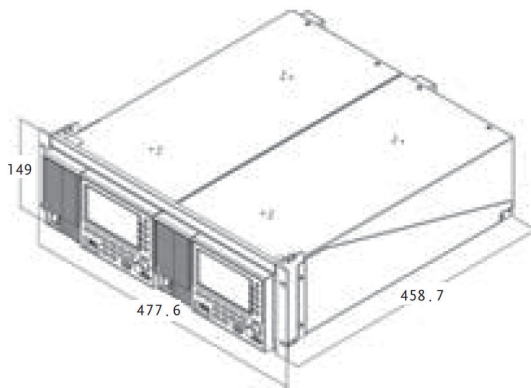
Since 1975



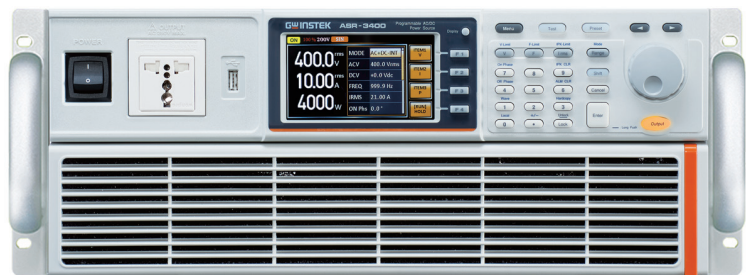
ASR-3300/3400 and ASR-002



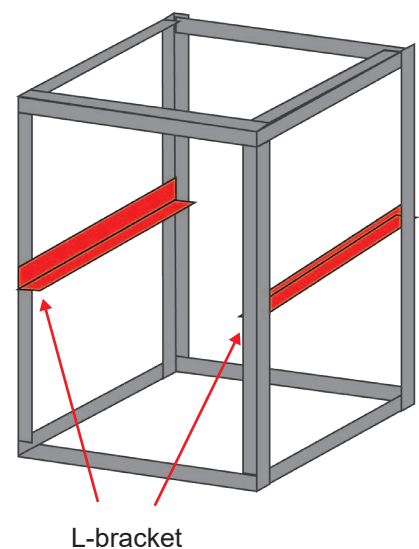
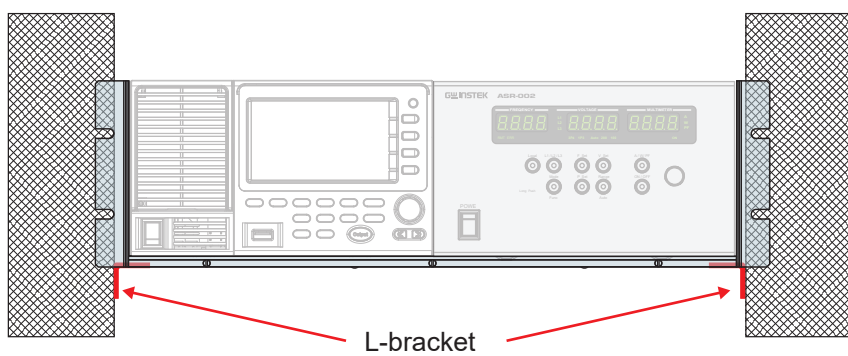
GRA-439-E Rack Mount Kit(EIA)



ASR-3000 Standard Accessory: GRA-442-E Rack Mount Adapter(EIA)



Rack installation Diagram



Please note the minimum width that is needed to be supported on the L-brackets

